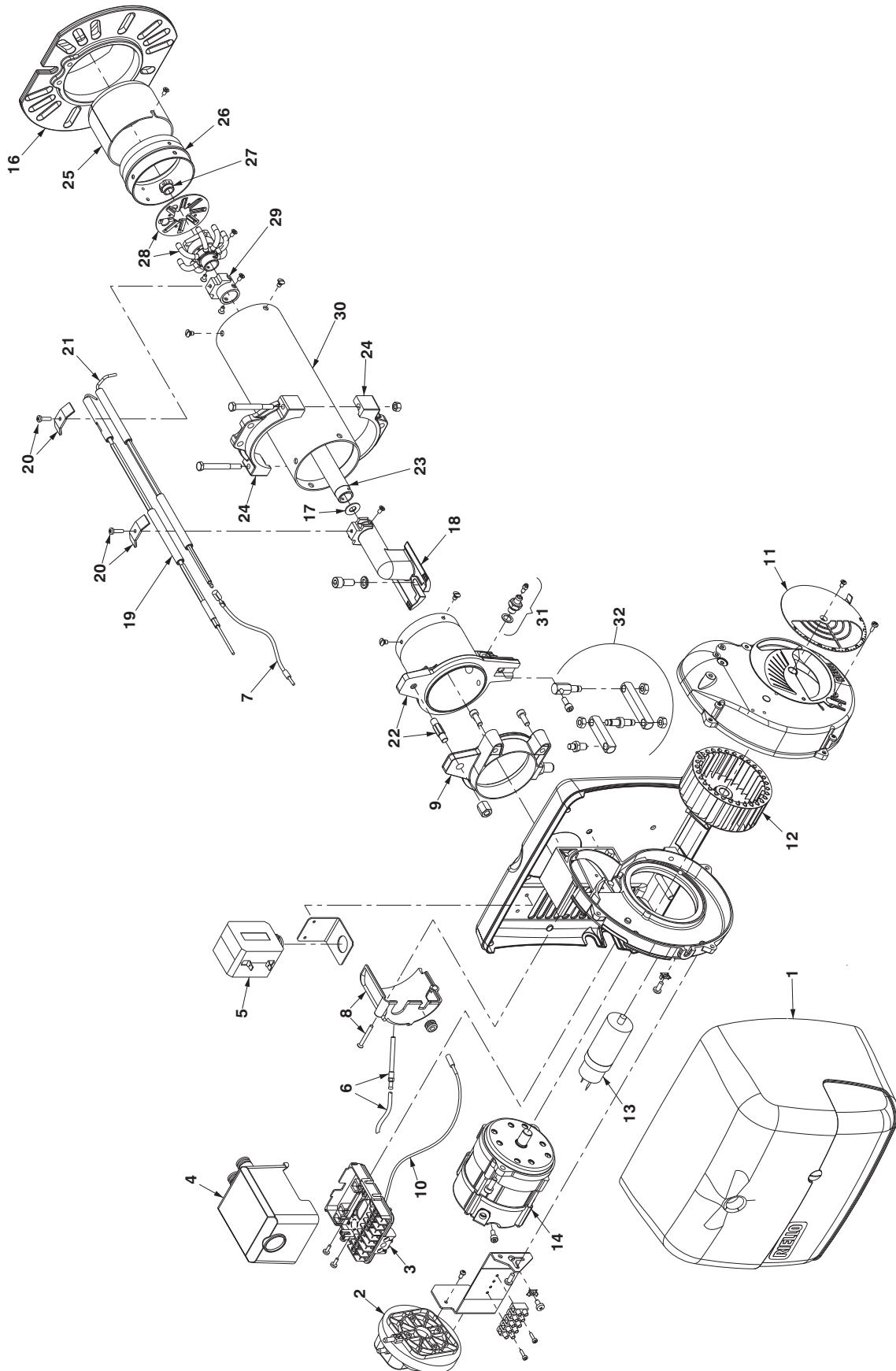


G 200 DUAL FUEL LP/NG BURNER - PARTS DIAGRAM



<u>RIELLO BURNER G200 - PARTS LIST DIAGRAM</u>		
N#	PART NUMBER	DESCRIPTION
1	FV-20136483-LPGN	PLASTIC BURNER COVER C/W LABELS
2	FVNP-3020321	AIR PRESSURE SWITCH
3	FVNP-3002307	SUB-BASE FOR IGNITION MODULE
4	FVNP-300162	IGNITION MODULE
5	FVNP-3007305	TRANSFORMER
6	FVNP-3007288	AIR SWITCH TUBE & CONNECTOR
7	FVNP-3007310	IONIZATION LEAD
8	FVNP-3007292	AIR TUBE COVER PLATE
9	FVNP-3006687	MOUNTING COLLAR
10	FVNP-3007448	GROUND LEAD & CONNECTOR
11	FVNP-3007204	AIR DAMPER
12	FV-3005708	BURNER FAN
13	FVNP-3005834	BURNER CAPACITOR
14	FVO-C7001034	BURNER MOTOR
16	FVO-3005855	MOUNTING FLANGE
17	FVNP-3020228	DIAPHRAM
18	FVNP-3006695	DRAWER ASSEMBLY ELBOW
19	FVNP-3007274	ELECTRODE ASSEMBLY
20	FVNP-3007265	ELECTRODE & IONIZATION CLAMP
21	FVNP-3020206	FLAME ROD ASSEMBLE
22	FVNP-3007298	MANIFOLD
23	FVNP-3007289	NG TUBE
24	FV-3005854	SEMI-FLANGE
25	FVNP-3006394	FLAME FUNNEL
26	FVNP-3007281	TOOTH
27	FVN-226	MAIN BURNER ORIFICE
28	FVNP-3006899	DISTRIBUTOR HEAD & MIXING PLATE
29	FVNP-3007303	ELECTRODE SUPPORT
30	FVNP-3007284	EXTENSION
31	FVNP-3005447	TEST POINT
32	FVNP-3000870	HINGE ASSEMBLY



26 Benfield Drive , St.Catharines Ontario Canada  
 905-685-4243  
 12949 Eagle Creek Parkway, Savage MN USA  
 866-266-2484